

Quectel BC66 Shield

Avnet's Quectel BC66 Shield enables designers to easily develop and prototype cellular connected IoT devices utilizing NB IoT network.

The NB IoT Shield is built around the Quectel BC66 NB IoT modem module. It supports primary and diversity external antenna connections through onboard SMA connectors, a 3FF SIM connector, MFF2 eUICC Slot.

FEATURES

Quectel BC66 Shield

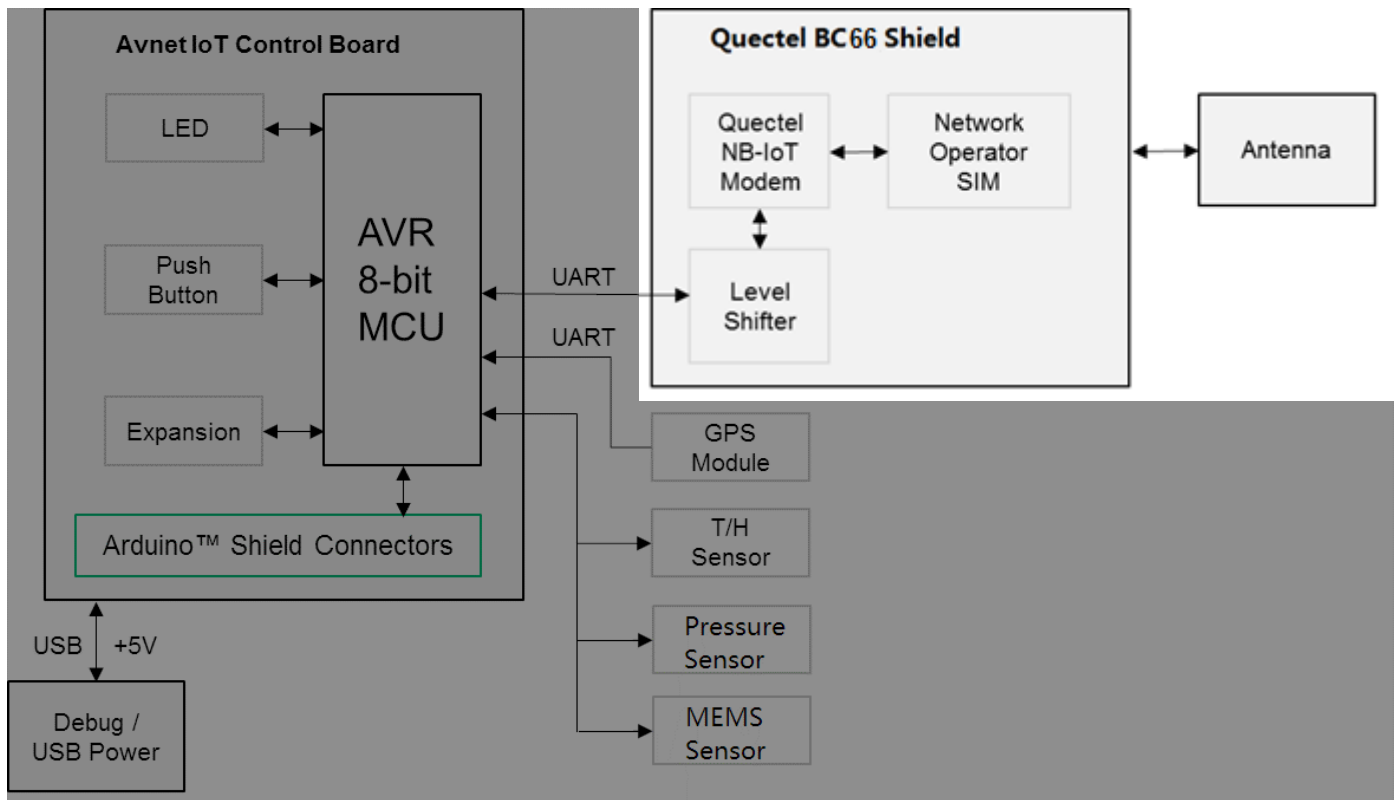
- Quectel LTE Cat-NB Module (MediaTek MT2625)
- 3FF SIM socket & MFF2 eUICC slot
- Arduino shield connectors



TARGET APPLICATIONS

- Mobile IoT
- Building Automation
- Factory Automation
- Smart Agriculture
- Cellular/Mesh Network Bridging

BLOCK DIAGRAM



FEATURED MANUFACTURERS



PARTS

Part Number	Description	Resale
ADX-QUE66-IOT-SM	Quectel BC66 Shield	\$34 USD