

Quectel BC95-G Shield Gen2

Avnet's Quectel BC95-G Shield Gen2 enables designers to easily develop and prototype cellular connected IoT devices utilizing NB IoT network.

The NB IoT Shield is built around the Quectel BC95-G NB IoT modem module. It supports primary and diversity external antenna connections through onboard SMA connectors, a 3FF SIM connector, MFF2 eUICC Slot.

FEATURES

Quectel BC95-G Shield Gen2

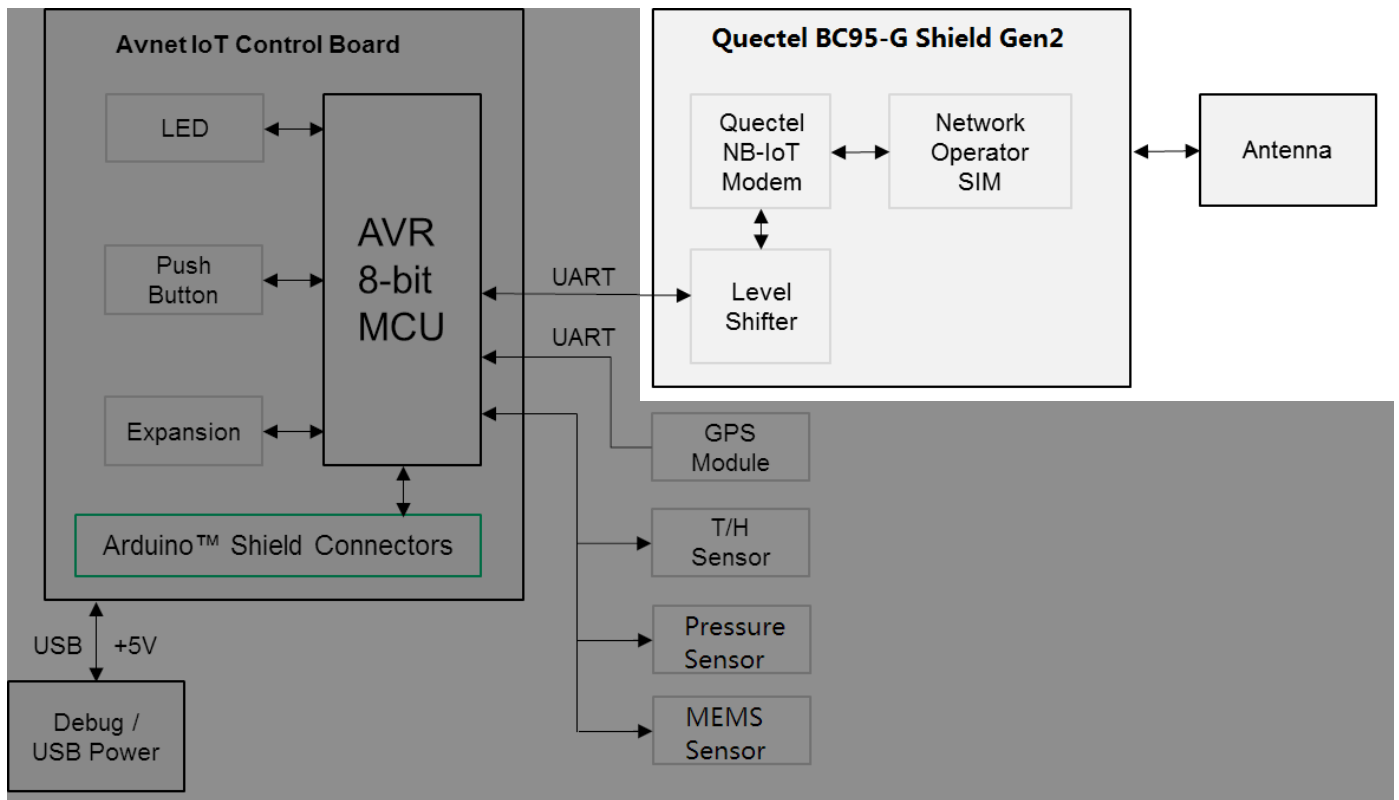
- Quectel LTE Cat-NB Module (HiSilicon Hi2115)
- 3FF SIM socket & MFF2 eUICC slot
- Arduino shield connectors



TARGET APPLICATIONS

- Mobile IoT
- Building Automation
- Factory Automation
- Smart Agriculture
- Cellular/Mesh Network Bridging

BLOCK DIAGRAM



FEATURED MANUFACTURERS



PARTS

Part Number	Description	Resale
ADX-QUE95G-IOT-SM-G2	Quectel BC95-G Shield Gen2	\$29 USD